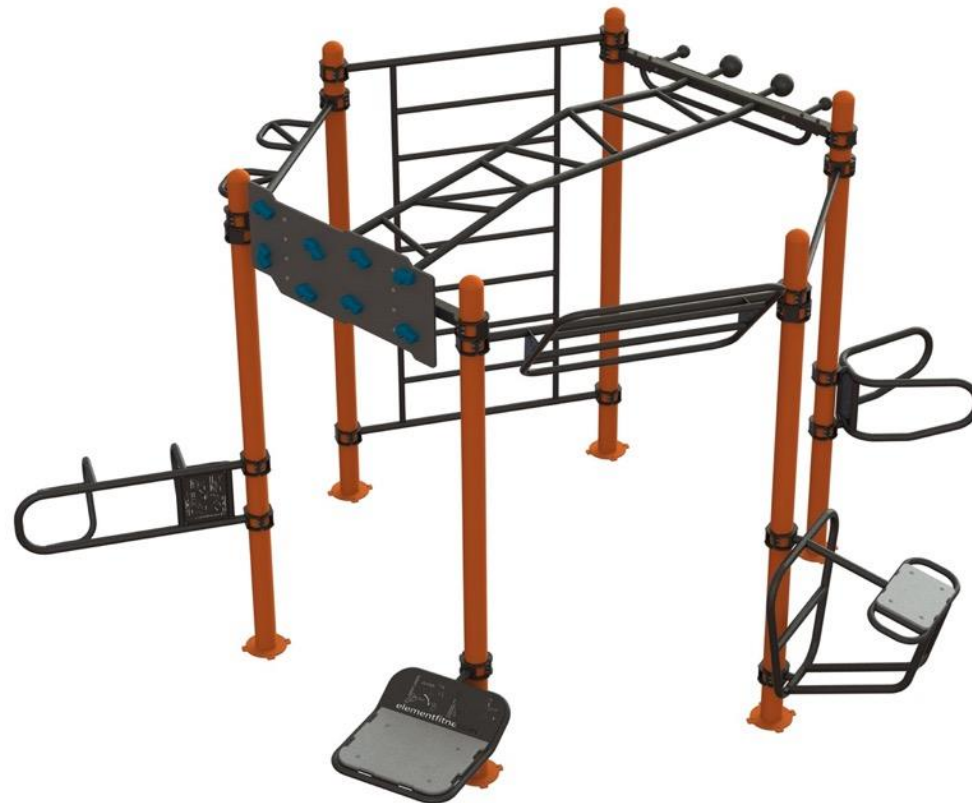


Specificatie Obstacle HEX outdoor training station

SKU: 30-03870-D-0004A01

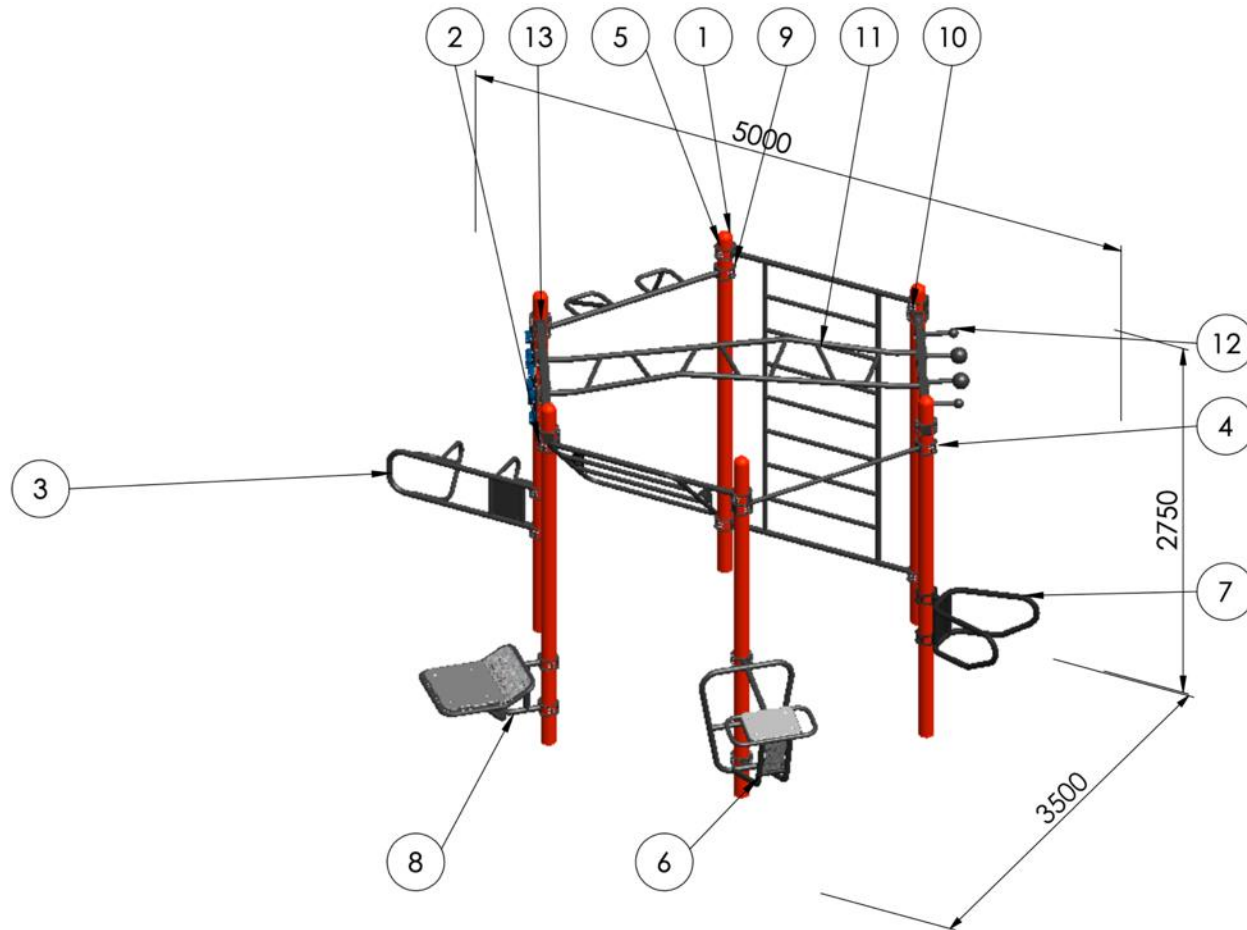


Tamminga Sports | Verlaatweg 2 | 2642 AR. Pijnacker

T: 015 785 30 47 | E: sales@tammingasports.nl

BTW: NL002053800B96 | KvK: 27371496 | ABN AMRO: NL33 ABNA 055 35 83 719 | BIC: ABNANL2A

| POS. | NUMBER | 1/K-BO | NAME |
|------|----------|--------|---|
| 1 | 20-11120 | 6 | Pillar 2500 mm |
| 2 | 20-01268 | 1 | Flying Pull-up Bar EN16630 / 1176 |
| 3 | 20-01065 | 1 | Row/ Push-Up / Dip Bar/ Assisted Squat EN16630/1176 |
| 4 | 20-00314 | 1 | Pull-up bar 1 |
| 5 | 20-00943 | 1 | Ladder EN 16630 / 1176 |
| 6 | 20-00525 | 1 | Sit-up / Push-up / GHD EN-16630 / 1176 |
| 7 | 20-00520 | 1 | V-shape Dip Bars EN16630/1176 |
| 8 | 20-01201 | 1 | Plyo Platfrom EN16630 / 1176 |
| 9 | 20-00695 | 1 | Multi-Grip Bar EN16630 / 1176 |
| 10 | 20-03433 | 1 | Horizontal Beam L=1500 |
| 11 | 20-05092 | 1 | Angled monkey bars 2.98 |
| 12 | 20-05672 | 2 | Attachable outdoor double spheres |
| 13 | 20-05881 | 1 | Outdoor Climbing wall 1.5 |



Tamminga Sports | Verlaatweg 2 | 2642 AR. Pijnacker

T: 015 785 30 47 | E: sales@tammingasports.nl

BTW: NL002053800B96 | KvK: 27371496 | ABN AMRO: NL33 ABNA 055 35 83 719 | BIC: ABNANL2A

Table 4 — Examples of commonly used impact attenuating materials, depths and corresponding maximum free heights of fall

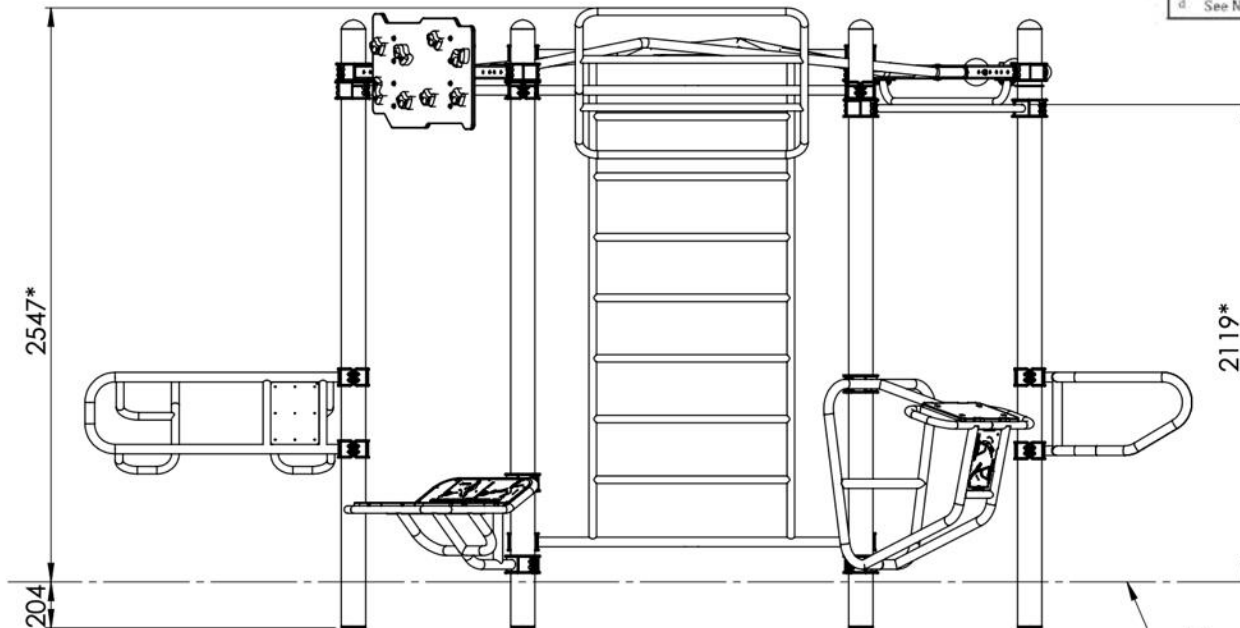
| Material ^a | Description | Minimum depth ^b | Maximum free heights of fall |
|---|--------------------------------|----------------------------|--------------------------------|
| | mm | mm | mm |
| Where the installed surfacing is verified (e.g. sieve test) as being in accordance with this table or carries a test report according to EN 1177, no additional testing is required | | | |
| Turf/topsoil | — | — | ≤ 1 000 ^d |
| Bark | 20 to 80 particle size | 200 | ≤ 2 000 |
| | | 300 | ≤ 3 000 |
| Woodchip | 5 to 30 particle size | 200 | ≤ 2 000 |
| | | 300 | ≤ 3 000 |
| Sand or gravel ^c | 0,25 to 8 grain size | 200 | ≤ 2 000 |
| | | 300 | ≤ 3 000 |
| Other materials and other depths | As tested according to EN 1177 | | Critical fall height as tested |

^a For further information on specific material properly prepared for use in children's playgrounds see CEN/TR 16598 (Collection of Rationales for EN 1176-1 requirements).

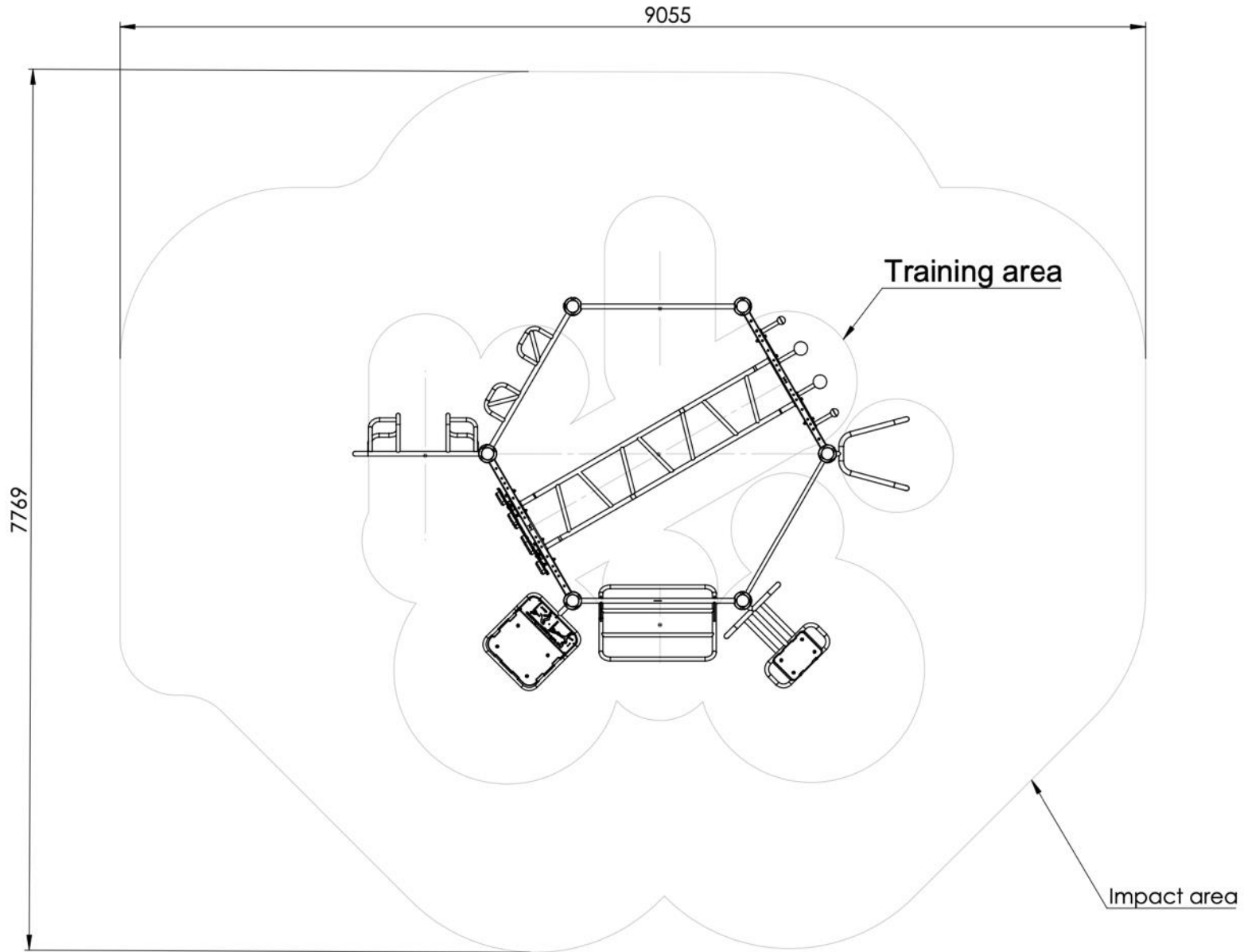
^b For loose particulate material, add 100 mm to the minimum depth to compensate for displacement (see 4.2.8.5.1).

^c Sand and gravel shall be well rounded and washed to eliminate most of the silt or clay particles. Washed sand or gravel is considered to be from alluvial (naturally eroded) deposits and free from most silt or clay particles. For gravel this may commonly be described as 'pea shingle'. Uniformity coefficient D60/D10 < 3,0. Grain size can be identified by use of a sieve test, as in EN 933-1 (see Annex G).

^d See NOTE 2 in 4.2.8.5.2.



The ground surfacing has to be made in accordance with EN1176,EN16630.



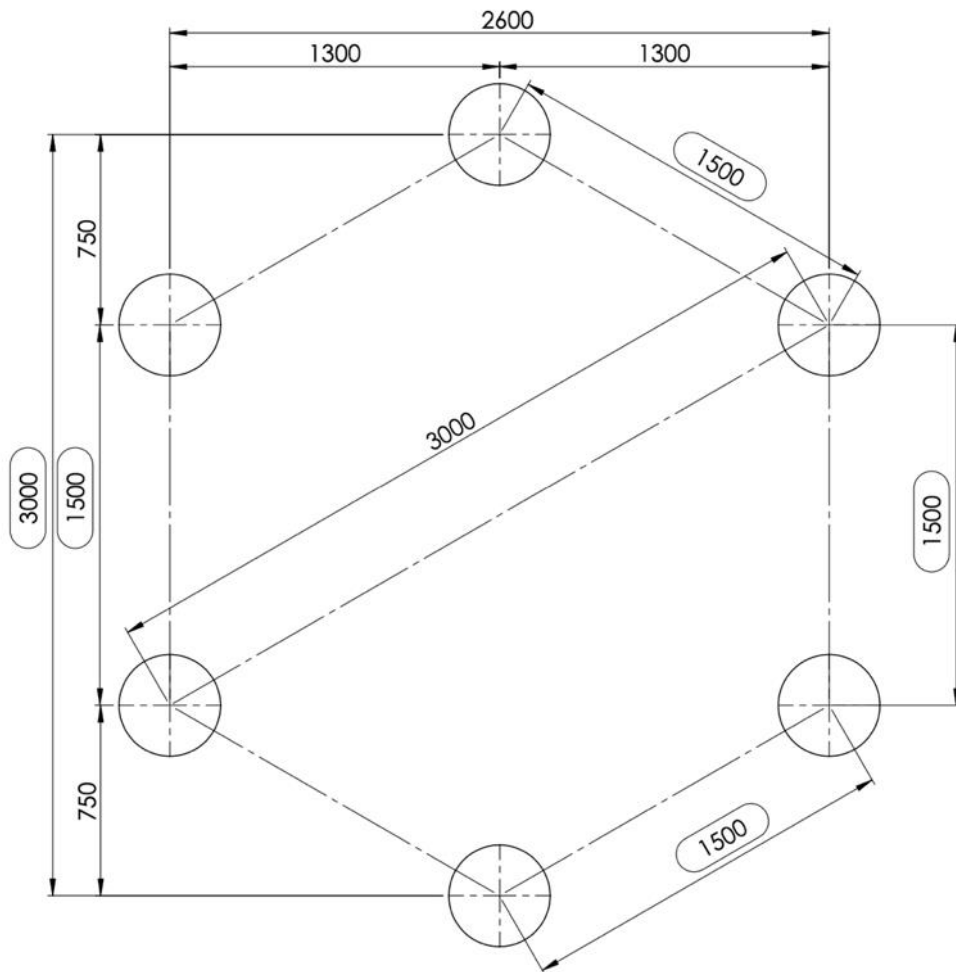


Table 4 — Examples of commonly used impact attenuating materials, depths and corresponding maximum free heights of fall

| Material ^a | Description | Minimum depth ^b | Maximum free heights of fall |
|---|--------------------------------|----------------------------|--------------------------------|
| | mm | mm | mm |
| Where the installed surfacing is verified (e.g. sieve test) as being in accordance with this table or carries a test report according to EN 1177, no additional testing is required | | | |
| Turf/topsoil | — | — | ≤ 1 000 ^d |
| Bark | 20 to 80 particle size | 200 | ≤ 2 000 |
| | | 300 | ≤ 3 000 |
| Woodchip | 5 to 30 particle size | 200 | ≤ 2 000 |
| | | 300 | ≤ 3 000 |
| Sand or gravel ^c | 0,25 to 8 grain size | 200 | ≤ 2 000 |
| | | 300 | ≤ 3 000 |
| Other materials and other depths | As tested according to EN 1177 | | Critical fall height as tested |

^a For further information on specific material properly prepared for use in children's playgrounds see CEN/TR 16598 (Collection of Rationales for EN 1176-1 requirements).

^b For loose particulate material, add 100 mm to the minimum depth to compensate for displacement (see 4.2.6.5.1).

^c Sand and gravel shall be well rounded and washed to eliminate most of the silt or clay particles. Washed sand or gravel is considered to be from alluvial (naturally eroded) deposits and free from most silt or clay particles. For gravel this may commonly be described as 'pea shingle'. Uniformity coefficient D60/D10 < 3,0. Grain size can be identified by use of a sieve test, as in EN 933-1 (see Annex G).

^d See NOTE 2 in 4.2.8.5.2.

1. In loose fill surfacing (e.g. sand), foundations should be made in accordance with EN 1176.(p. 4.2.14)
2. Please refer to Instruction manual EL00-09550A01 for ground mounting instructions